

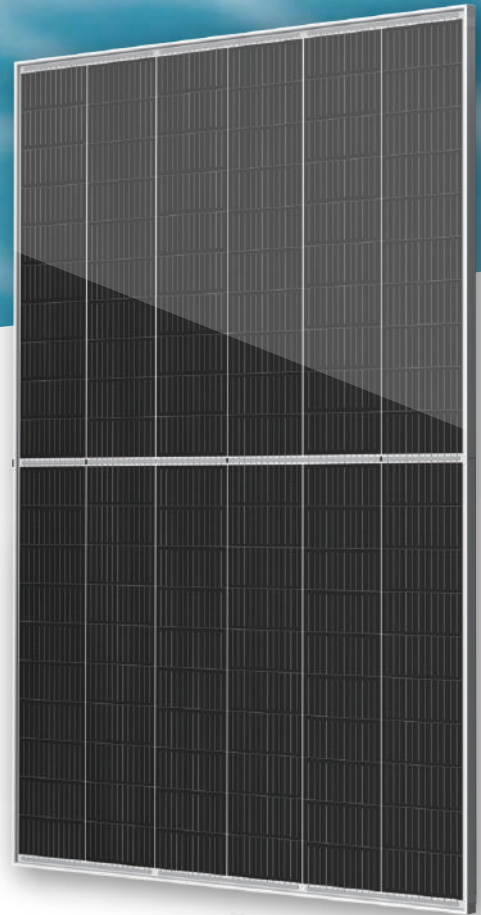
SPHM6-60L 590-605 Watt

MONO CRYSTALLINE MODULE

- SP590HM6-60L
- SP595HM6-60L
- SP600HM6-60L
- SP605HM6-60L



SpolarPV
Easy Invest, More Returns



21.4%
Module efficiency

12
years

Product warranty

605 W
Highest power output

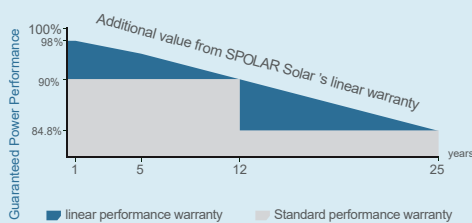
25
years

Linear power warranty

0 ~ +5W
Positive power tolerance

Key Features

Linear Performance Warranty



ISO9001:2016 ISO14001:2016
OHSAS18001:2011 certified factory.
IEC61215 IEC61730 certified products.

www.spolarpv.com



High Efficiency

Higher module conversion efficiency benefit from Passivated Emitter Rear Contact (PERC) technology.



PID Resistant

Excellent Anti-PID performance guarantee limited power degradation for mass production.



Low-light Performance

Advanced glass and cell surface texture design ensure excellent performance in low light environment.



Severe Weather Resilience

Certified to withstand: wind load (2400 Pascal) and snow load (5400 Pascal).



Durability against extreme environmental conditions

High salt mist and ammonia resistance.



Electrical Characteristics at Standard Test Conditions(STC)

Module Type	SP590HM6-60L	SP595HM6-60L	SP600HM6-60L	SP605HM6-60L
Maximum Power -Pmax (W)	590	595	600	605
Maximum Power Voltage - Vmp (V)	34.00	34.20	34.40	34.60
Maximum Power Current - Imp (A)	17.35	17.40	17.44	17.49
Open-circuit Voltage - Voc (V)	41.10	41.30	41.50	41.70
Short-circuit Current - Isc (A)	18.42	18.47	18.52	18.57
Module Efficiency STC (%)	20.8%	21.0%	21.2%	21.4%

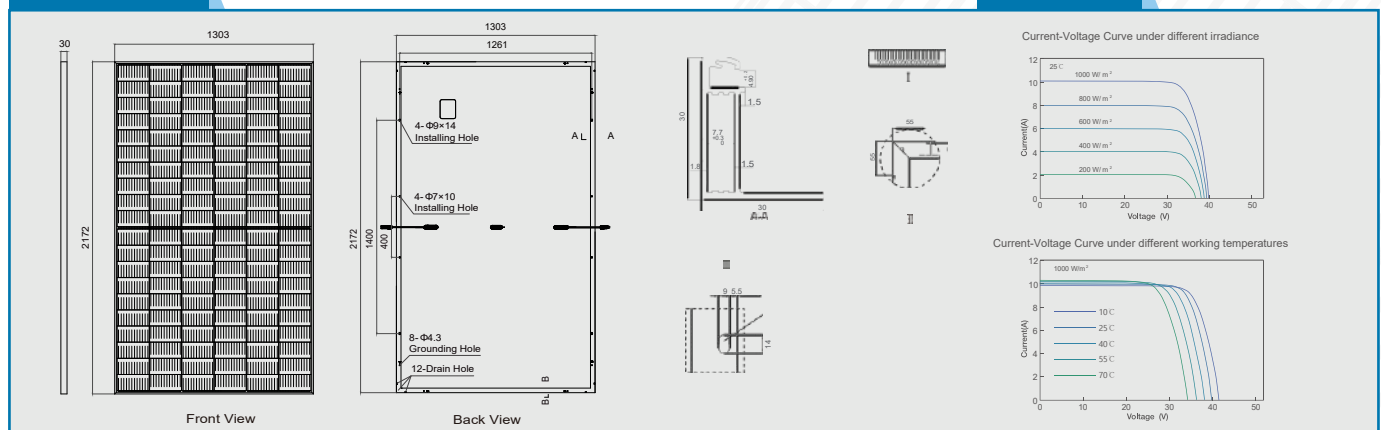
Electrical Characteristics at Normal Operating Cell Temperature(NOCT)

Module Type	SP590HM6-60L	SP595HM6-60L	SP600HM6-60L	SP605HM6-60L
Maximum Power -Pmax (W)	444	448	452	456
Maximum Power Voltage - Vmp (V)	32.00	32.20	32.40	32.60
Maximum Power Current - Imp (A)	13.88	13.92	13.95	13.99
Open-circuit Voltage - Voc (V)	38.30	38.50	38.70	38.90
Short-circuit Current - Isc (A)	14.74	14.78	14.82	14.86
Power tolerance	0~+5W	Operating Temperature(°C)		-40 C ~+85 C
Temperature coefficients of Pmax	-0.34%/C	Maximum system voltage		1500V
Temperature coefficients of Voc	-0.25%/C	Maximum series fuse rating		30A
Temperature coefficients of Isc	0.04%/C	Nominal operating cell temperature		45±2 C

Mechanical Characteristics

Cell Type	Mono-crystalline PERC 210×105mm
No.of cells	120
Dimensions	2172×1303×30mm
Weight	30.9 kg
Front Glass	3.2mm, High Transmission, Low Iron, Tempered Glass
Frame	Anodized Aluminium Alloy
Junction Box	IP67 Rated
Output Cables	1×4.0mm ² , Length:300mm or Customized Length
Packaging Configuration	36pcs/pallet, 648pcs/40'HQContainer

Dimensions



IV-Curves